



AMZB 1  
AMZB 2  
AMZB 4-LP



AMLB 1  
AMLB 2  
AMLB 4

### SPECIFICATIONS

- Extruded aluminium (not folded)
- High quality anodized surface

### Support compatibility table with our different electromagnetic locks

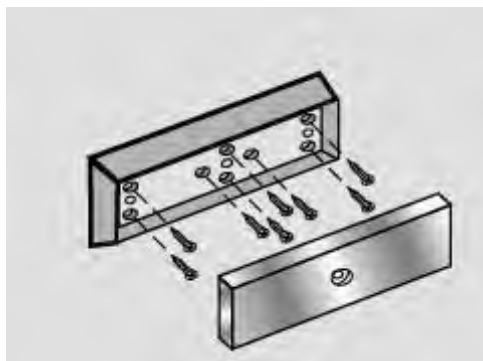
Bracket reference	Electromagnetic locking reference						Holding Force
AMAB 1	HQMAG 5700++	HQMAG 11	HQMAG 12	HQMAG 4000NF	HQMAG 5700	HQMAG 5700D	5300N
AMAB 2	HQMAG 1H	HQMAG 2000NF	HQMAG 3500				3000N
AMAB 3	HQMAG 30M	HQMAG 30S					1800N
AMLB 1	HQMAG 5700++	HQMAG 11	HQMAG 12	HQMAG 4000NF	HQMAG 5700	HQMAG 5700D	5300N
AMLB 2	HQMAG 1H	HQMAG 2000NF	HQMAG 3500				3000N
AMLB 4	HQMAG 3500++						3000N
AMZB 1-LP	HQMAG 5700++	HQMAG 11	HQMAG 12	HQMAG 4000NF	HQMAG 5700	HQMAG 5700D	5300N
AMZB 2	HQMAG 1H	HQMAG 2000NF	HQMAG 3500				3000N
AMZB 3	HQMAG 30S						1800N
AMZB 4-LP	HQMAG 3500++						3000N
AMLB 2400	VX2400LP						15000N
AMZB 2400	VX2400LP						15000N
AMZB 5000	HQMAG 5000F	HQMAG 5000G	HQMAG 5000S				7500N
BR HQ35.5	VX2400LP						15000N

All product specifications are subject to change without notice

## MOUNTING SCHEMES

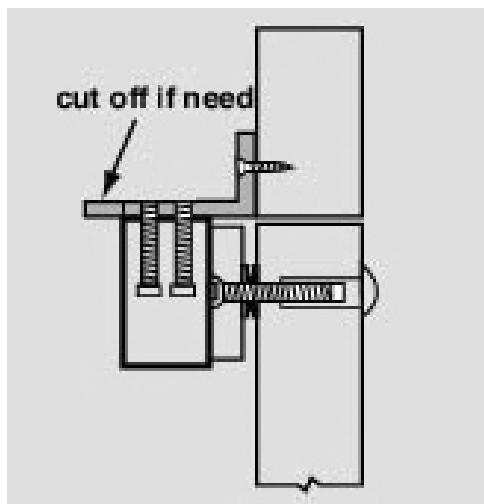
### AMAB

Bracket for armature plate.  
When the door frame is too thick,  
this bracket is required.



### L Bracket

For outward opening door.



### L&Z Bracket

For inward opening door.

